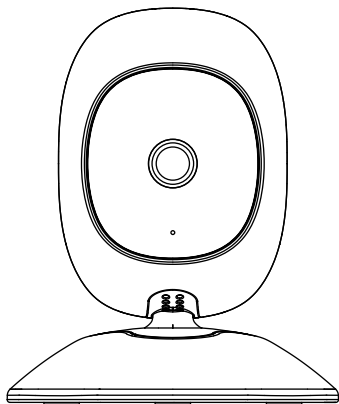


SIMCAM AI Camera

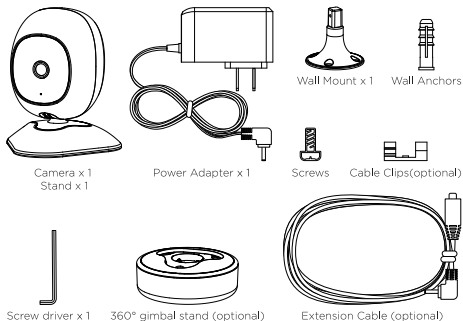
Quickstart Guide

V20190116

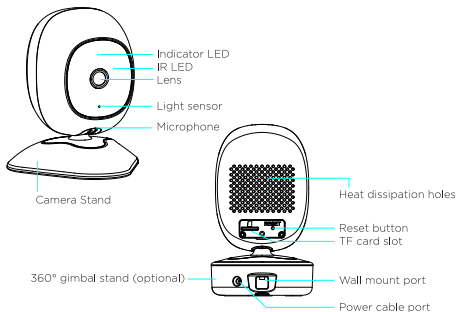


On-device AI Camera for Home Security and Home Automation

BOX CONTENT



CAMERA DIAGRAM



CAMERA SETUP

1. Screw the camera onto the stand.
2. Insert an SD card into the camera. Connect the AC adapter to the back of the stand and plug it into a power outlet. When the indicator LED lights green, it indicates the camera is powered on.

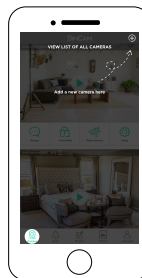
APP SETUP

1. Scan the QR codes below to get the SimCam APP to your phone. You can also search "SimCam" on Google Play or IOS App Store.



2. Open the App, tap "register", enter your phone number, tap "get code" to verify your phone number.
3. Enter your passwords and tap "confirm" to create an account.
4. Log into your account.

ADD A CAMERA



1. When the indicator LED blinks green, open SimCam APP, tap on the ⊕ on the top right corner of the screen, then enter your Wi-Fi SSID and password, tap "next" to generate a QR code.
2. Use your camera to scan the QR code. When the LED turns solid blue, it indicates that the camera has connected to the Wi-Fi.
3. Make sure the camera is working with your APP before installing it.

Tap here to add a new camera.

Explanation of Indicator LED:

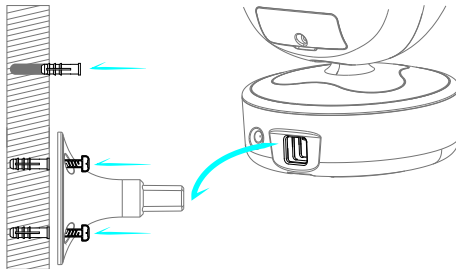
Solid green	Powered on
Blinking green	Searching networks
Solid Blue	Connecting to network

Troubleshooting: If SimCam loses connection with Wi-Fi, the camera will restart and enter scanning mode. Go to the "camera", tap "setting" and tap "ResetWIFI", repeat the steps above to reconnect to Wi-Fi.

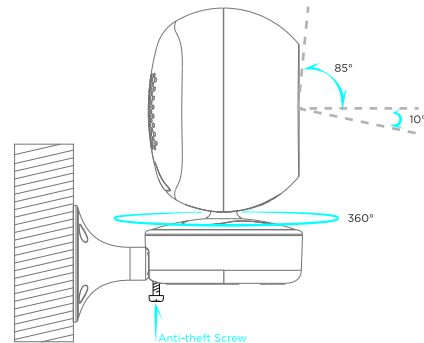
INSTALLATION INSTRUCTION

Notes: The wall must be able to bear 3X the weight of the camera and wall mount. It is recommended to place the camera no more than 10 meters away from your Wi-Fi router to ensure a good signal.

1. If you want to mount SimCam on the wall, test the Wi-Fi connection before mounting it. Power on the camera and check if the light turns solid blue and the APP is streaming video smoothly.
2. If you install SimCam outside the house and there is no external power outlet, you may need to drill a hole in the wall to let the cable through.
3. Screw the wall plate onto a flat wall. If the wall is made of bricks and stones, make sure to use the included wall anchors to hold the screws.
4. Attach the wall mount onto the plate, then attach the camera onto the mount and secure it with a screw.



5. Plug the AC adapter into a power outlet, SimCam will reconnect to your Wi-Fi automatically.
6. Install a few cable clips on the power cable to secure the camera.
7. You can adjust the viewing angle by tilting the camera up by 85° or down by 10°. You can also pan SimCam by 360° if it is attached on a gimbal stand. Check the APP's live view to aim the camera the way you want.



USE THE APP

If you enter the APP for the first time, the APP will present an onboarding tutorial that will guide you through each step of the APP operation. You can also find the first-time tutorial in the account setting section whenever you need it.

DISCLAIMER

The features and interface of the product and APP mentioned in this manual may be changed after your purchase. When you find your product is different from the content in the user manual, please go to our website: www.simcam.ai for the latest user manual. We will not announce updates of the user manual.

If you have further questions about SimCam AI camera, please send email to "support@simcam.ai".

